

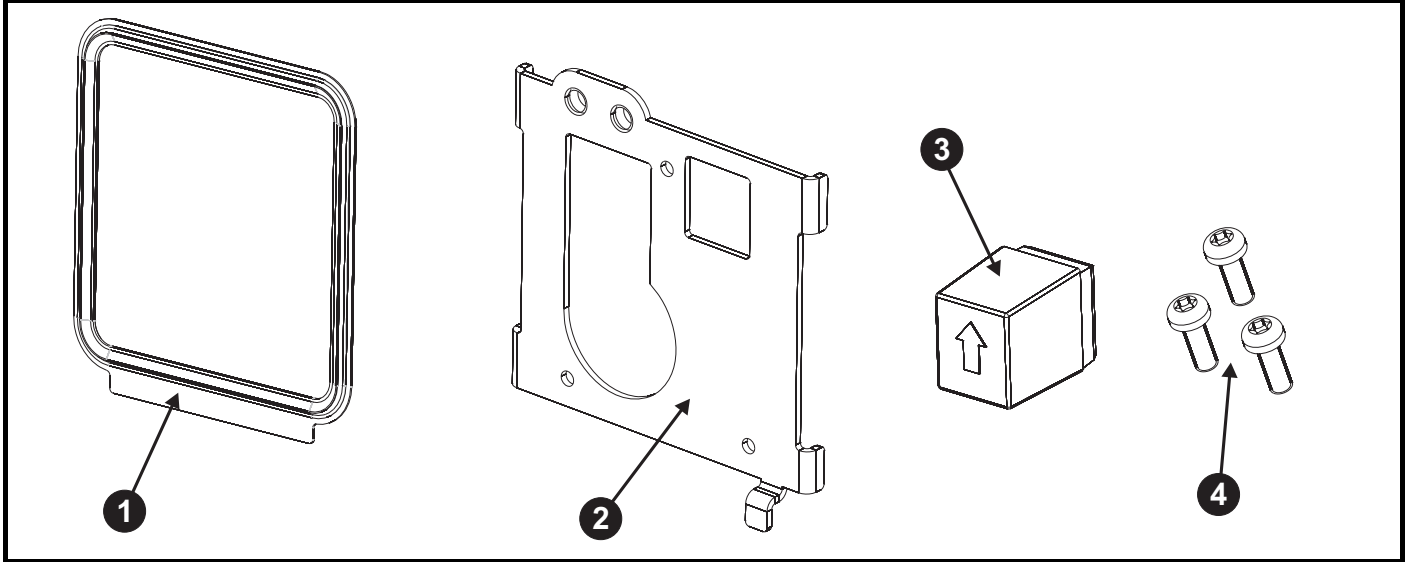
Remote Keypad Installation Sheet



The Remote Keypad is intended for use only when mounted on a cubicle door in the manner shown in this installation sheet. It is not suitable for handheld or remote use. Operation in any other fashion may cause a hazard and invalidates the warranty.

1 Items Supplied with the Remote Keypad

Figure 1-1 Items supplied with the Remote Keypad

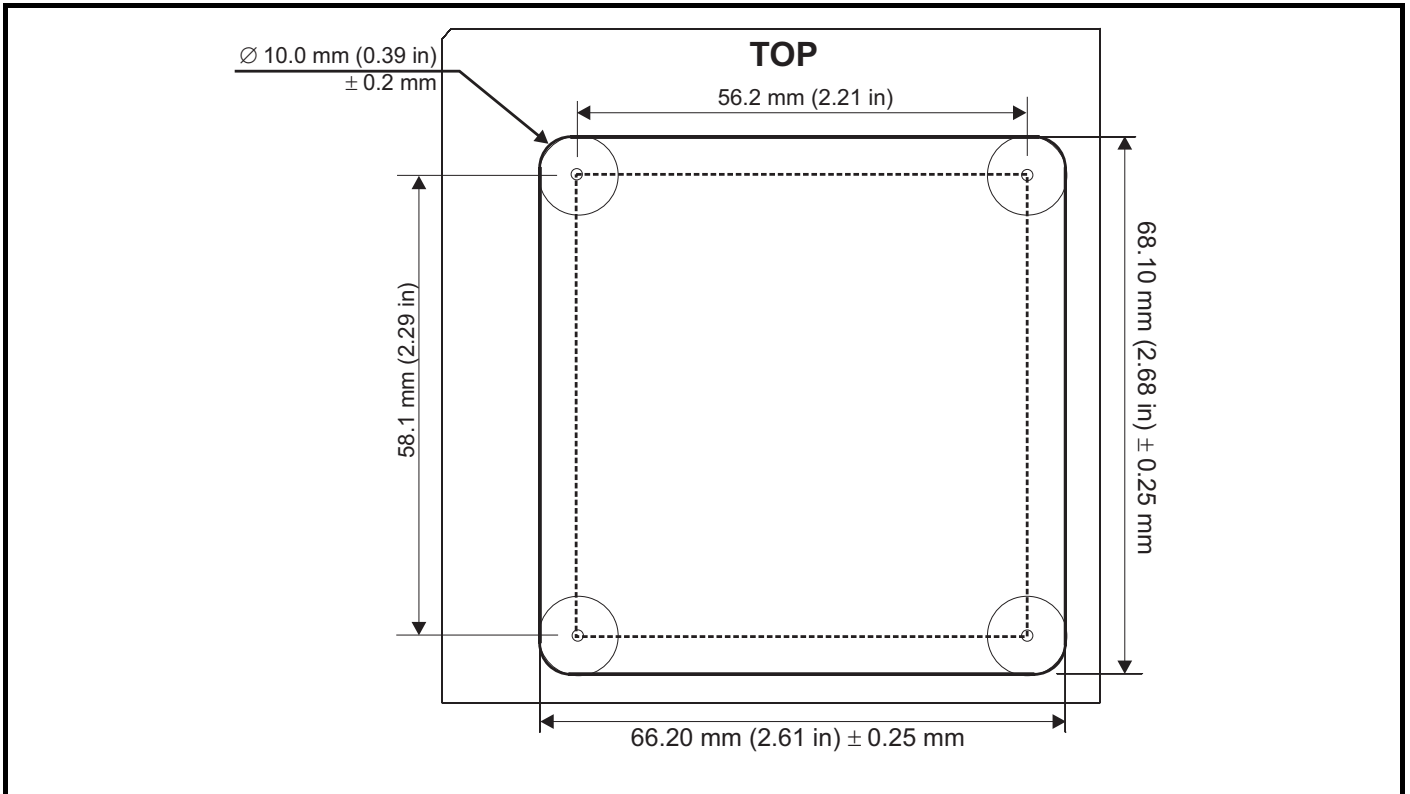


1. Rubber seal
2. Clamping bracket
3. 6-pin connector cover
4. Mounting screws (x3)

2 Panel mounting

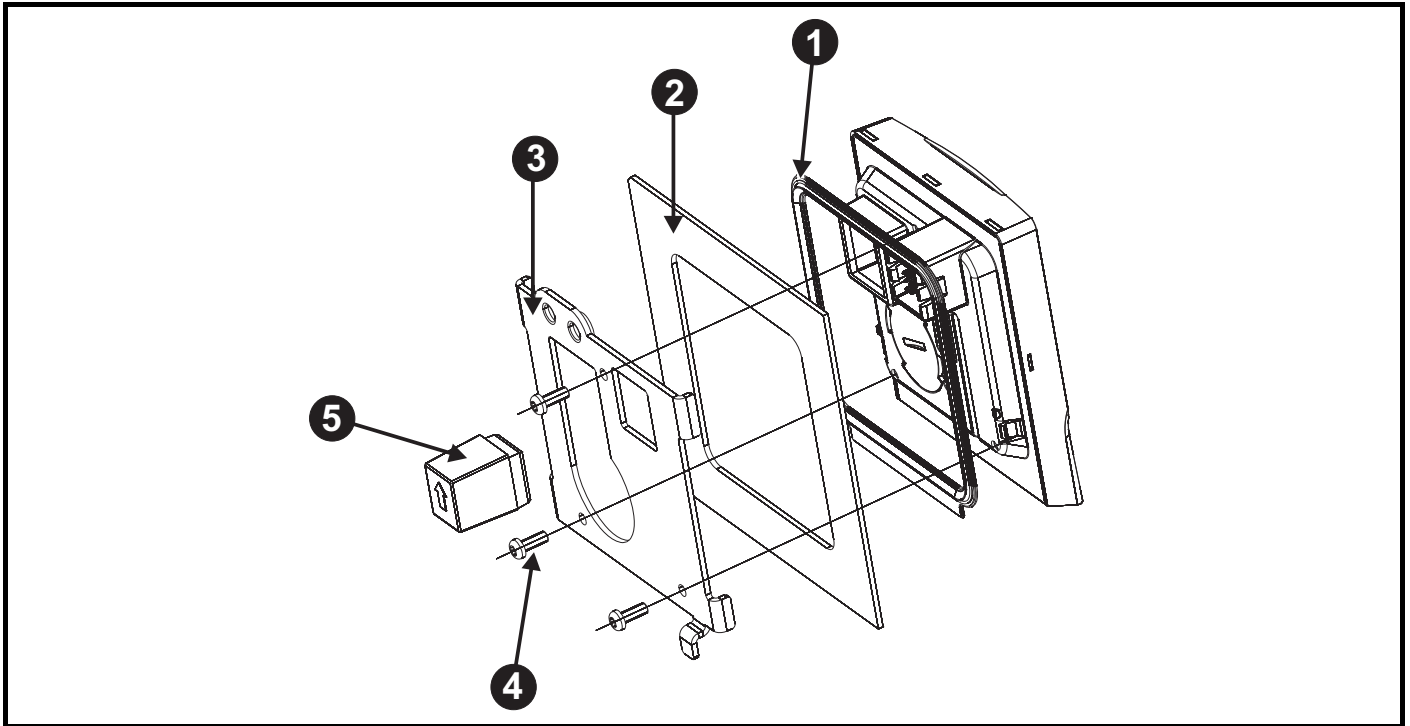
Figure 2-1 below shows the dimensions of the cut-out required to mount the Remote Keypad on a panel or cubicle door.

Figure 2-1 Panel cut out



0478-0334-01

Figure 2-2 Remote Keypad mounting



1. Fit the rubber seal around the Remote Keypad.
2. Position the Remote Keypad into the panel /cubicle cut-out.
3. Attach clamping bracket.
4. Insert the 3 x mounting screws and tighten to 0.6 N m (0.44 lb ft).
5. Insert the 6-pin connector cover.

The communications cable between the drive's RS485 port or KI-485 Adaptor and keypad is wired one-to-one.

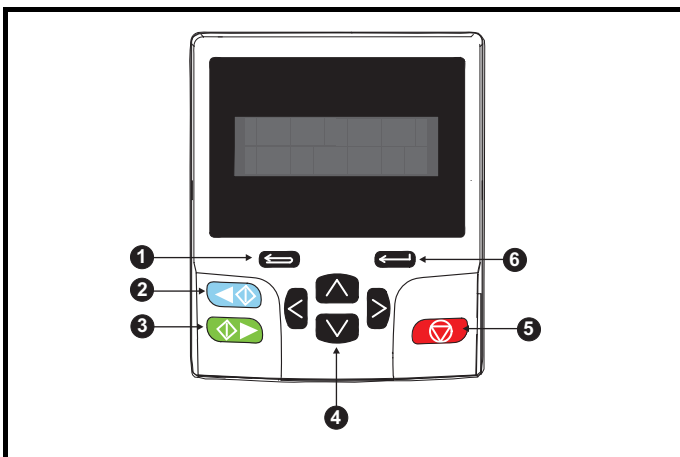
The maximum cable length is 100 m when conductors of 0.129 mm² (AWG 26) or larger are used and the cable shield should be connected to the grounded panel / cubicle at the keypad end of the cable.



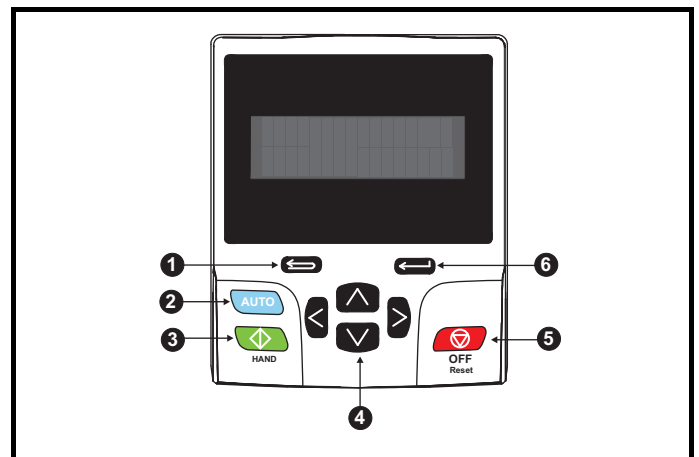
WARNING

The 6-pin connector cover must be installed to prevent exposure to electrical circuits that may only be protected to ELV levels depending upon the type of drive used.

3 Understanding the Keypads




1. Escape button
2. Start reverse (Auxiliary button)
3. Start forward button
4. Navigation keys (x4)
5. Stop / Reset (red) button
6. Enter button



1. Escape button
2. Auto button
3. Hand button
4. Navigation keys (x4)
5. Off / Reset (red) button
6. Enter button

NOTE

The red  button is also used to reset the drive. For further details on the keypad please refer to the relevant *Drive User Guide*.



0478-0334-01