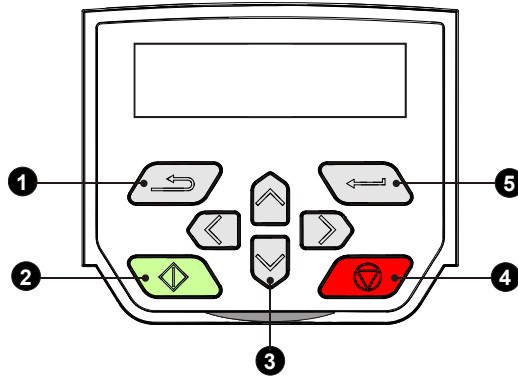


Remote Keypad Installation Sheet



The Remote Keypad is intended for use only when mounted on a cubicle door in the manner shown in this installation sheet. It is not suitable for handheld or remote use. Operation in any other fashion may cause a hazard and invalidates the warranty.

WARNING




1	Escape
2	Start
3	Navigation keys
4	Stop
5	Enter

NOTE

The Remote Keypad can be installed / removed while the drive is powered up and running a motor, providing that the the drive is not operating in keypad mode.

NOTE

The red stop button  is also used to reset the drive.

NOTE

In ambient conditions above 50⁰C (122⁰F), the LCD keypad will display a blank screen. The LCD screen will recover as the ambient temperature reduces.

Control buttons

The keypad consists of:

Escape button (1) is used to exit from parameter edit or view mode. In parameter edit mode, if parameter values are edited and the exit button pressed the parameter value will be restored to the value it had on entry to edit mode.

The Start button (2) is used to control the drive if keypad mode is selected.

Navigation Keys (3) are used to navigate the parameter structure and change parameter values.

Stop Key (4) is used to stop or reset the drive.

Enter Key (5) is used to toggle between parameter edit and view mode.

Display

The Remote Keypad display provides up to four rows of text which show the drive status or the menu and parameter numbers currently being viewed.

Panel mounting

Figure 1 shows the dimensions of the cut-out required to mount the Remote Keypad on a panel or cubicle door.

Figure 1 Panel cut-out

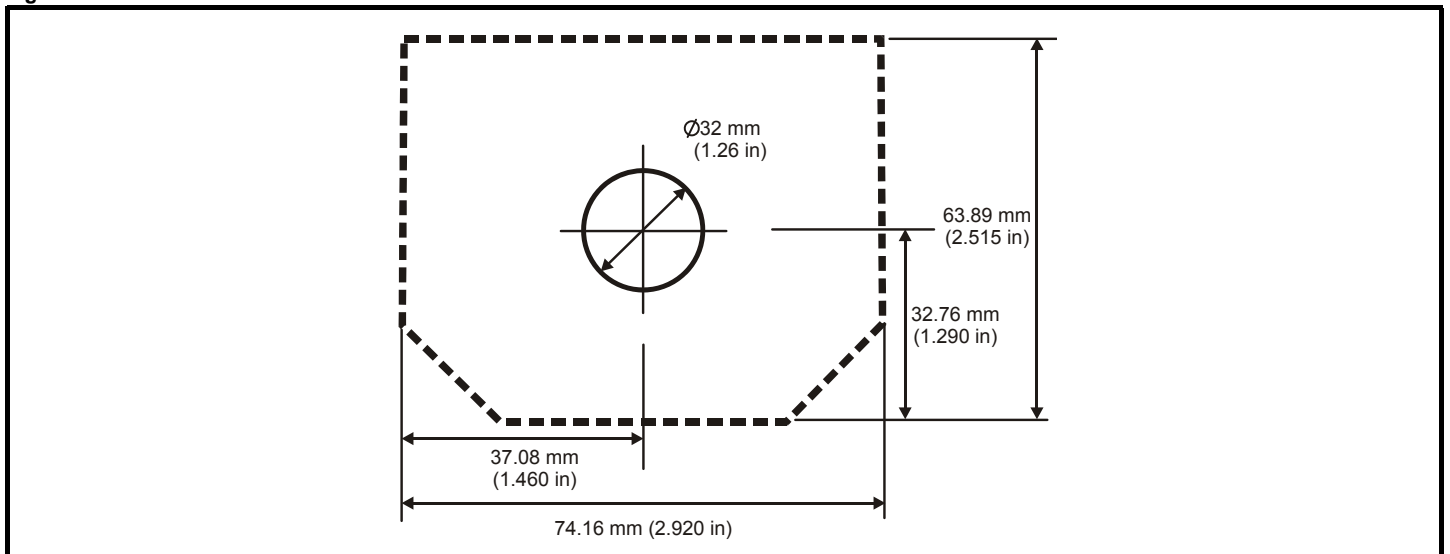
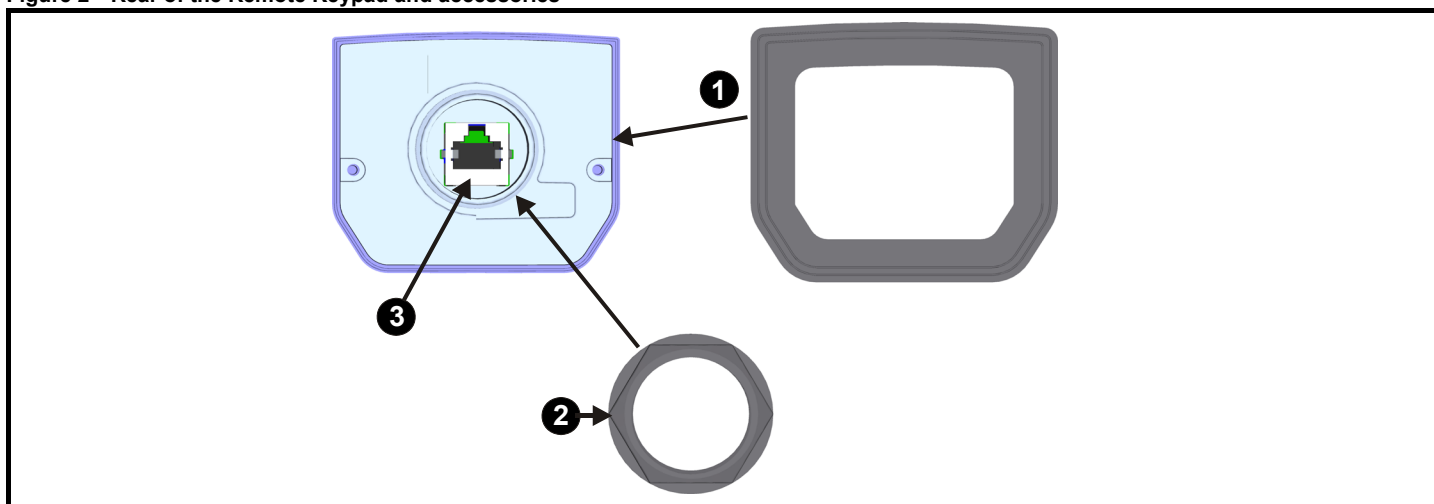


Figure 2 Rear of the Remote Keypad and accessories



1. Rubber seal
2. Plastic nut
3. RJ45 connector

In order to meet IP66 ratings:

- The rubber seal must be correctly fitted around the edge of the keypad.
- The rubber seal must be fully compressed using the plastic nut. The nut should be tightened to ensure that there is no movement of the keypad.

The remote keypad is connected to the drive by a straight -through shielded RJ45 cable, from the socket on the rear of the keypad to the RJ45 serial communications connection on the drive. For EMC compliance, the cable shield should be clamped to the panel upon which the remote keypad is mounted so that it makes a good electrical connection.

The maximum cable length allowed is 10 m.

The serial communications parameters on the drive must be set as shown below:

Baud rate: Pr 43 (Pr 11.025) = 115200 (10)

Address: Pr 44 (Pr 11.023) = 1

Mode: Pr 11.024 = 5

